

# NBC-M12MS/15,0-94L - Network cable



1192126

<https://www.phoenixcontact.com/in/products/1192126>

Please be informed that the data shown in this PDF document is generated from our online catalog. Please find the complete data in the user documentation. Our general terms of use for downloads are valid.



Network cable, Ethernet CAT5e (1 Gbps), 8-position, Plug straight M12, coding: A / IP65, on free cable end, cable length: 15 m

## Commercial data

Item number	1192126
Packing unit	1 pc
Minimum order quantity	25 pc
Note	Made to order (non-returnable)
Sales key	*****
Product key	BF1IHD
GTIN	4063151344030
Weight per piece (including packing)	22.22 g
Weight per piece (excluding packing)	22.22 g
Customs tariff number	85444290
Country of origin	US

1192126

<https://www.phoenixcontact.com/in/products/1192126>

## Technical data

### Product properties

Product type	Data cable preassembled
Sensor type	Ethernet
Number of positions	8
Application	Standard, U.S. cables
Shielded	yes
Coding	A

### Interfaces

Bus system	Ethernet
Signal type/category	Ethernet CAT5e, 1 Gbps

### Signaling

Status display	No
Status display present	No

### Electrical properties

Nominal voltage $U_N$	48 V AC
	60 V DC
Nominal current $I_N$	2 A (Plug/socket in accordance with IEC 61076-2-101, cable technical data is to be observed)
Transmission medium	Copper

### Connector

#### Connection 1

Type	Plug straight M12 / IP65
Coding type	A (Standard)
Material	CuZn (Contact)
	Ni/Au (Contact surface)
	TPU GF (Contact carriers)
	TPU, hardly inflammable, self-extinguishing (Grip)
	Zinc die-cast, nickel-plated (Screw connection)
Degree of protection	IP65

#### Connection 2

Type	free cable end
------	----------------

### Cable/line

Cable length	15 m
--------------	------


Highly flexible Ethernet CAT5e [94L]

# NBC-M12MS/15,0-94L - Network cable



1192126

<https://www.phoenixcontact.com/in/products/1192126>

Dimensional drawing	
UL AWM Style	2463 (80 °C / 600 V)
Number of positions	8
Shielded	yes
Cable type	Highly flexible Ethernet CAT5e [94L]
Conductor structure	4x2xAWG24/7; SF/UTP
Conductor structure signal line	7x 0.20 mm (7x32)
AWG signal line	24
Conductor cross section	4x 2x 0.2 mm <sup>2</sup>
Wire diameter incl. insulation	1.2 mm
External cable diameter	7.4 mm ±0.25 mm
Outer sheath, material	TPE
External sheath, color	Teal
Conductor material	Tin-plated Cu litz wires
Material wire insulation	PE
Single wire, color	white/blue-blue, white/orange-orange, white/green-green, white/brown-brown
Twisted pairs	2 cores to the pair
Overall twist	4 pairs for core
Optical shield covering	75 %
Wave impedance	100 Ω ±15 Ω (at 100 MHz)
Cable impedance	100 Ω ±15 Ω (at 1 ... 100 MHz)
Nominal voltage, cable	600 V
Test voltage	2000 V
Max. bending cycles	1000000 10000000 (126 cycles/min. @ 20°C)
Torsion force	360 °/m (1 lb. load)
Torsion cycles	4800000
Torsional frequency	71 (cycles/min)
Ambient temperature (operation)	20 °C
Near end crosstalk attenuation (NEXT)	50 dB (with 100 MHz (IEC 62153-4-9))
Return attenuation (RL)	20 dB (at 10 MHz (+6LOG)) 26 dB (at 20 MHz) 26 dB (at 100 MHz (-5LOG))
Flame resistance	VW-1
Other resistance	Resistant to welding splashes (Abrasion and oil resistance) UV resistant (CMX outdoor)

# NBC-M12MS/15,0-94L - Network cable



1192126

<https://www.phoenixcontact.com/in/products/1192126>

Ambient temperature (operation)	-40 °C ... 80 °C (Cable, flexible installation)
---------------------------------	---

## Environmental and real-life conditions

### Ambient conditions

Degree of protection	IP65
	IP65
Ambient temperature (operation)	-25 °C ... 85 °C (M12 connector)

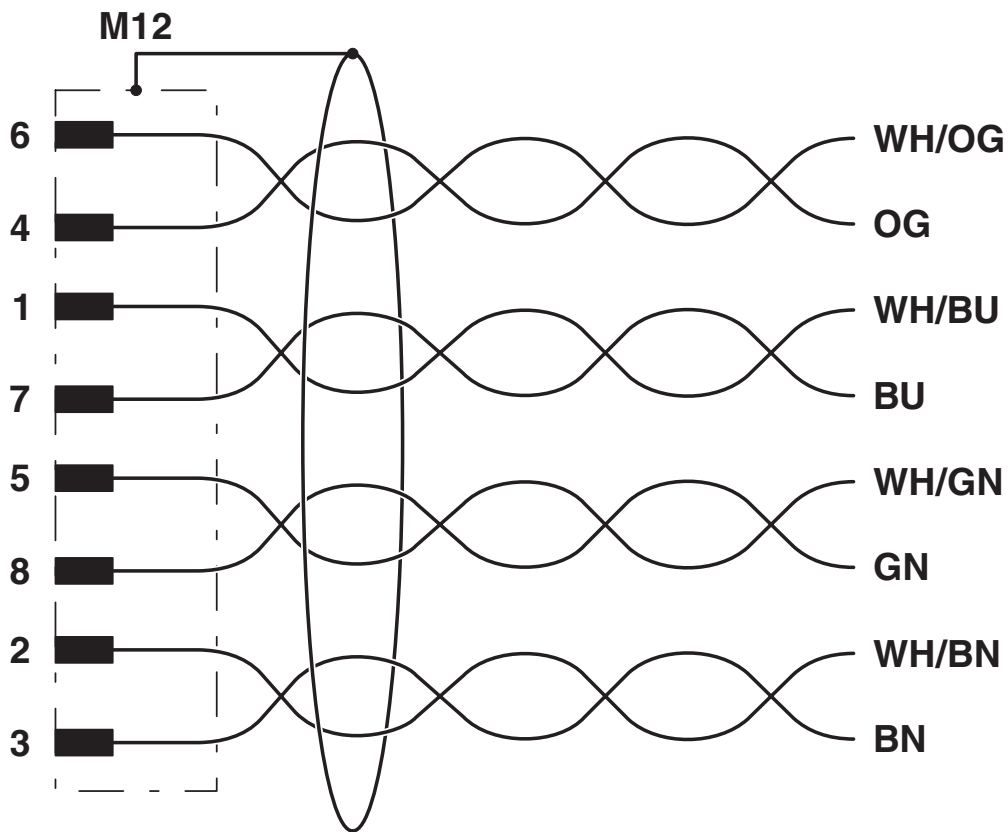
## Standards and regulations

### M12

Standard designation	M12 connector
Standards/specifications	IEC 61076-2-101

Drawings

Circuit diagram



1192126

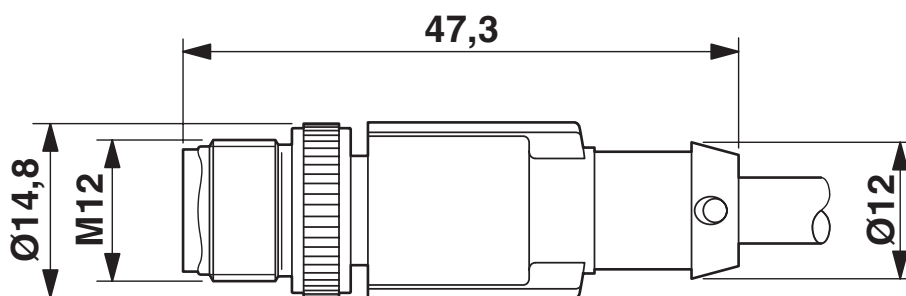
<https://www.phoenixcontact.com/in/products/1192126>

Schematic diagram



Pin assignment M12 plug, 8-pos., A-coded, view plug side

Dimensional drawing



Plug, M12 x 1, straight, shielded

# NBC-M12MS/15,0-94L - Network cable




1192126

<https://www.phoenixcontact.com/in/products/1192126>

## Approvals

To download certificates, visit the product detail page: <https://www.phoenixcontact.com/in/products/1192126>

 <b>cUL Recognized</b> Approval ID: File E335024				
	Nominal voltage $U_N$	Nominal current $I_N$	Cross section AWG	Cross section $\text{mm}^2$
	60 V	1.5 A	-	-

 <b>UL Recognized</b> Approval ID: File E335024				
	Nominal voltage $U_N$	Nominal current $I_N$	Cross section AWG	Cross section $\text{mm}^2$
	60 V	1.5 A	-	-

<b>cULus Recognized</b>				
-------------------------	--	--	--	--

# NBC-M12MS/15,0-94L - Network cable



1192126

<https://www.phoenixcontact.com/in/products/1192126>

## Classifications

### ECLASS

ECLASS-11.0	27060307
ECLASS-12.0	27060307
ECLASS-13.0	27060307

### ETIM

ETIM 8.0	EC001855
----------	----------

### UNSPSC

UNSPSC 21.0	26121600
-------------	----------

# NBC-M12MS/15,0-94L - Network cable



1192126

<https://www.phoenixcontact.com/in/products/1192126>

## Environmental product compliance

China RoHS	Environmentally Friendly Use Period = 50 years For information on hazardous substances, refer to the manufacturer's declaration available under "Downloads"
------------	--

Phoenix Contact 2024 © - all rights reserved  
<https://www.phoenixcontact.com>

PHOENIX CONTACT (I) Pvt. Ltd.  
A-58/2, Okhla Industrial Area, Phase - II, New Delhi-110 020

+91.1275.71420  
[info@phoenixcontact.co.in](mailto:info@phoenixcontact.co.in)